



(12) **United States Design Patent**  
**Kauppila et al.**

(10) **Patent No.:** **US D736,186 S**  
(45) **Date of Patent:** **\*\* Aug. 11, 2015**

- (54) **MICROPHONE BOX WITH DOME SHAPED CAP**
- (71) Applicant: **TRICK TECHNOLOGIES OY**, Espoo (FI)
- (72) Inventors: **Timo Kauppila**, Espoo (FI); **Lasse Korpela**, Espoo (FI); **Mikelis Studers**, Helsinki (FI); **Pyry Taanila**, Espoo (FI)
- (73) Assignee: **TRICK TECHNOLOGIES OY**, Espoo (FI)
- (\*\*) Term: **14 Years**
- (21) Appl. No.: **29/453,036**
- (22) Filed: **Apr. 24, 2013**
- (30) **Foreign Application Priority Data**

4,167,985	A	*	9/1979	Dunlavy	181/148
D280,219	S	*	8/1985	Suzuki	D21/589
D338,798	S	*	8/1993	Grzybinski	D6/601
D386,764	S	*	11/1997	Lake	D14/225
5,881,156	A	*	3/1999	Treni et al.	381/91
5,937,074	A	*	8/1999	Carver	381/395
D449,036	S	*	10/2001	Weikel et al.	D14/215
6,406,098	B1	*	6/2002	Linder	297/452.41
D464,682	S	*	10/2002	Lin	D21/499
D469,417	S	*	1/2003	Hsu	D14/142
D469,418	S	*	1/2003	Hsu	D14/142
D476,976	S	*	7/2003	Tanabe	D14/225
D480,437	S	*	10/2003	Stoneberg	D21/499
D504,269	S	*	4/2005	Faircloth	D6/601
D509,858	S	*	9/2005	May et al.	D21/499
D529,018	S	*	9/2006	Rozier	D14/168
D531,167	S	*	10/2006	Harries	D14/215
D544,371	S	*	6/2007	Bhavnani	D10/2
D544,463	S	*	6/2007	Harris	D14/168
D546,813	S	*	7/2007	Lewis	D14/168
D580,995	S	*	11/2008	Chun	D21/499
D581,713	S	*	12/2008	Berke	D6/601
D583,180	S	*	12/2008	Haile	D6/601

(Continued)

- Oct. 31, 2012 (EM) ..... 002127928-0001
- (51) **LOC (10) Cl.** ..... **14-01**
- (52) **U.S. Cl.**  
USPC ..... **D14/225; D14/229**
- (58) **Field of Classification Search**  
USPC ..... D14/142, 168, 203.1, 204-207,  
D14/210-221, 223-229, 509; 381/91, 162,  
381/322, 354-361, 380, 386, 395; 215/10;  
D6/601; D21/499, 589, 333; D13/102  
See application file for complete search history.

*Primary Examiner* — Susan Bennett Hattan  
*Assistant Examiner* — Marie Fast Horse  
(74) *Attorney, Agent, or Firm* — Thompson Hine LLP

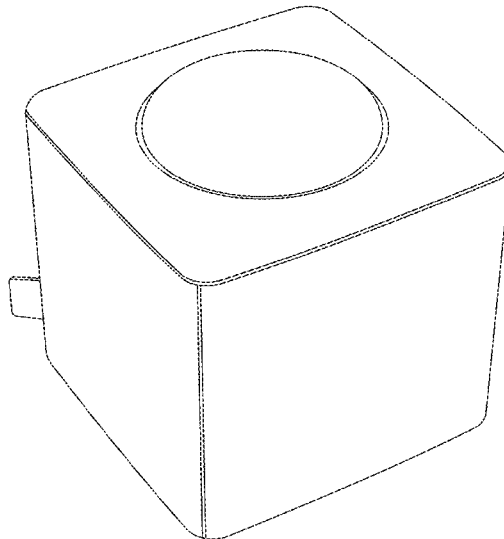
(57) **CLAIM**  
The ornamental design for a microphone box with dome shaped cap, as shown and described.

**DESCRIPTION**

FIG. 1 is a side, perspective view of a microphone box with dome shaped cap, shown with dome shaped cap in place; FIG. 2 is a side view of the microphone box of FIG. 1; FIG. 3 is a bottom, perspective view thereof; FIG. 4 is a top view thereof; FIG. 5 is a side, perspective view of the microphone box of FIG. 1 with the dome shaped cap removed; and, FIG. 6 is a side view of the microphone box of FIG. 5.

**1 Claim, 6 Drawing Sheets**

- (56) **References Cited**  
U.S. PATENT DOCUMENTS  
1,465,637 A \* 8/1923 Goss ..... 434/403  
D141,340 S \* 5/1945 Greenfield ..... D21/499  
2,631,747 A \* 3/1953 Stolte ..... 215/10  
2,718,563 A \* 9/1955 Nicholides ..... 381/162  
D214,452 S \* 6/1969 Christiansen ..... D14/225  
D229,068 S \* 11/1973 Engle ..... D14/212



(56)

**References Cited**

U.S. PATENT DOCUMENTS

D586,335	S *	2/2009	Wise et al. ....	D14/225	D647,878	S *	11/2011	Woo et al. ....	D14/215
D588,583	S *	3/2009	McDougal .....	D14/225	D680,097	S *	4/2013	Davies et al. ....	D14/215
D605,976	S *	12/2009	Beier .....	D11/184	D681,548	S *	5/2013	Zhang et al. ....	D13/102
D610,212	S *	2/2010	Pedersen .....	D21/499	D684,215	S *	6/2013	Markowitz .....	D21/333
D616,045	S *	5/2010	Tervo .....	D21/499	D685,080	S *	6/2013	Ferguson et al. ....	D24/101
D629,164	S *	12/2010	Lamstein et al. ....	D30/118	D690,280	S *	9/2013	Schul .....	D14/188
D629,241	S *	12/2010	Romero .....	D6/601	D691,115	S *	10/2013	Silvera .....	D14/215
D630,685	S *	1/2011	Bodin et al. ....	D21/499	D698,869	S *	2/2014	Strzelewicz et al. ....	D21/499
					2008/0156815	A1 *	7/2008	Coff .....	220/592.2
					2010/0254564	A1 *	10/2010	Guenther .....	381/386
					2011/0240402	A1 *	10/2011	Chou et al. ....	181/207

\* cited by examiner

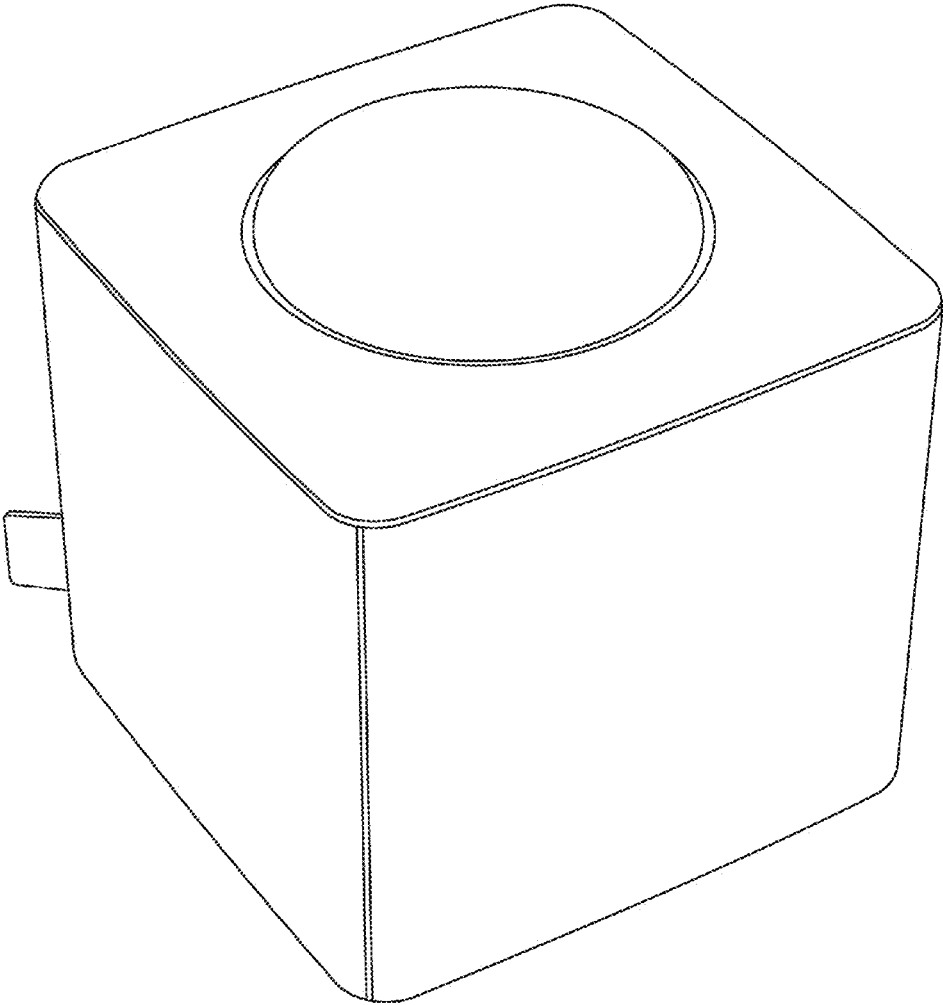


Figure 1

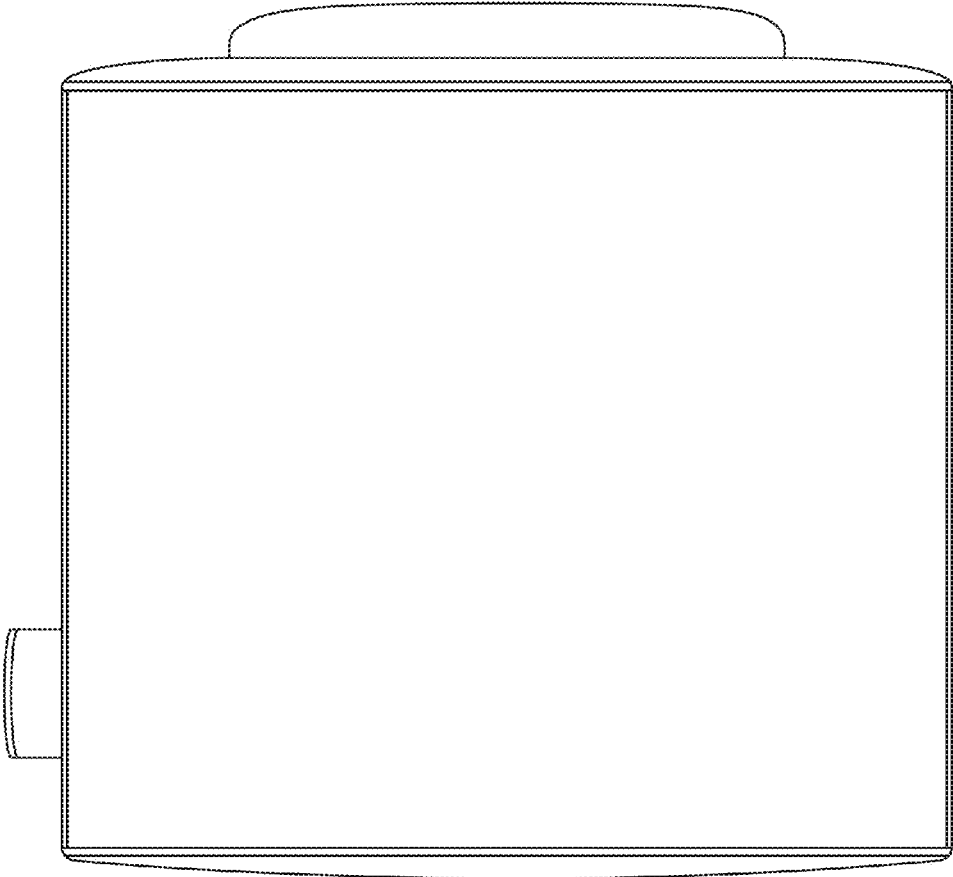


Figure 2

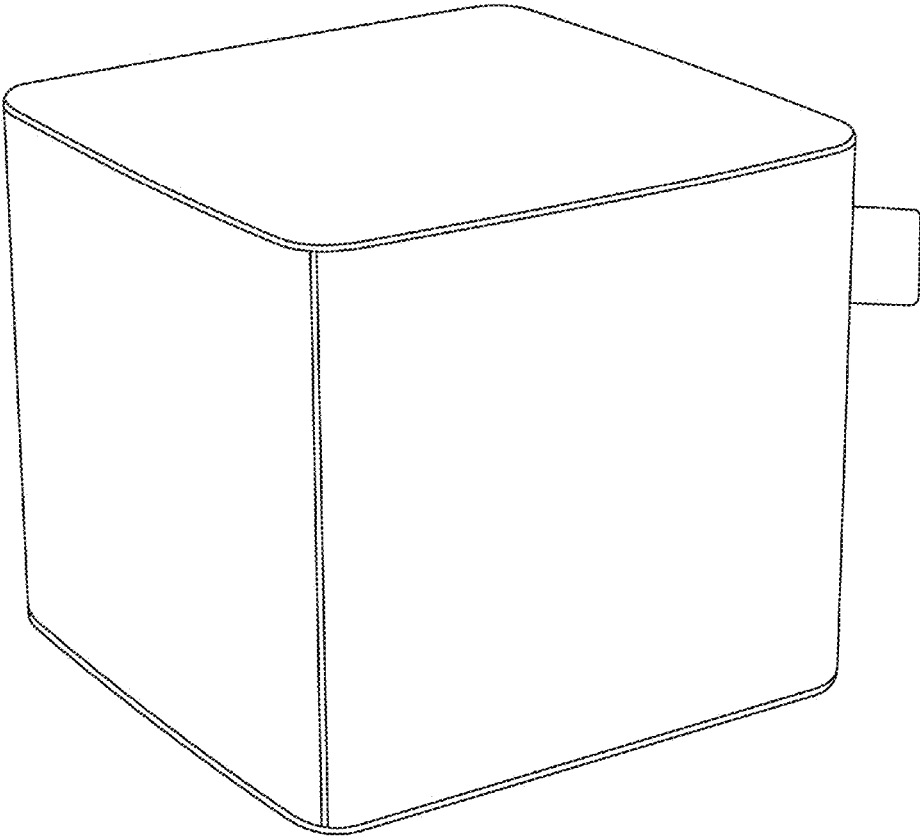


Figure 3

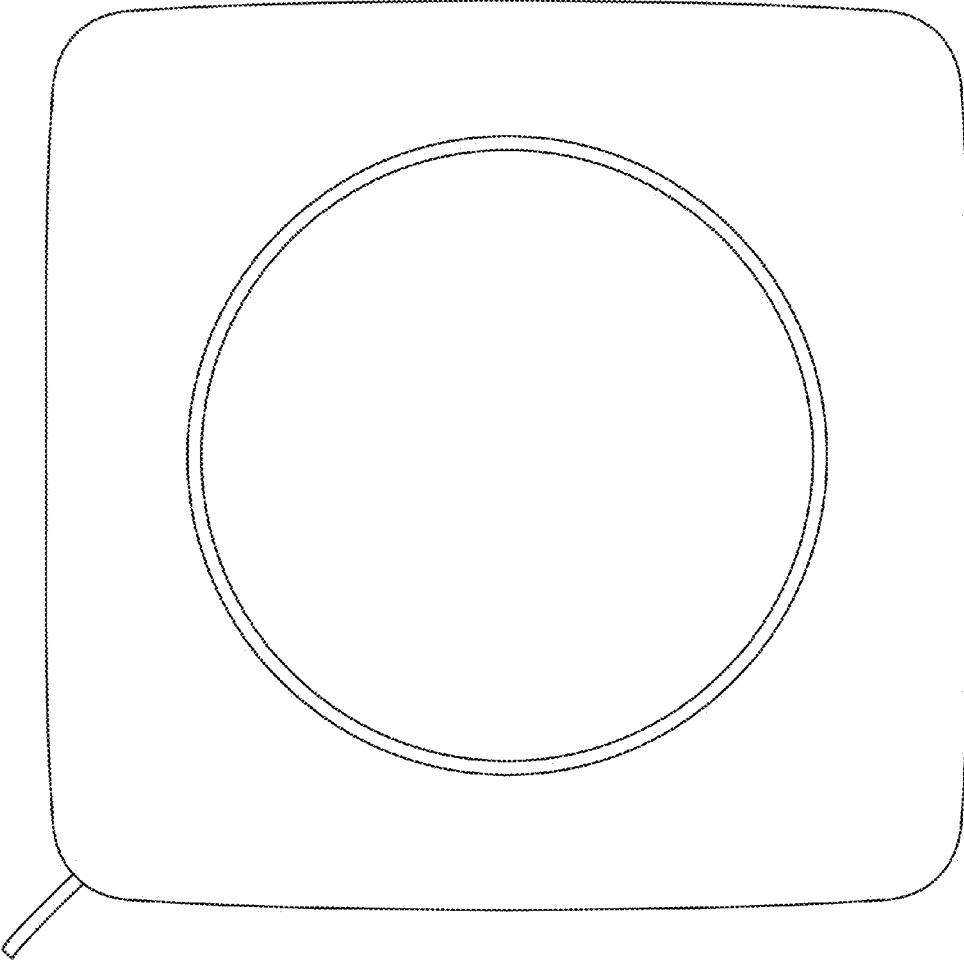


Figure 4

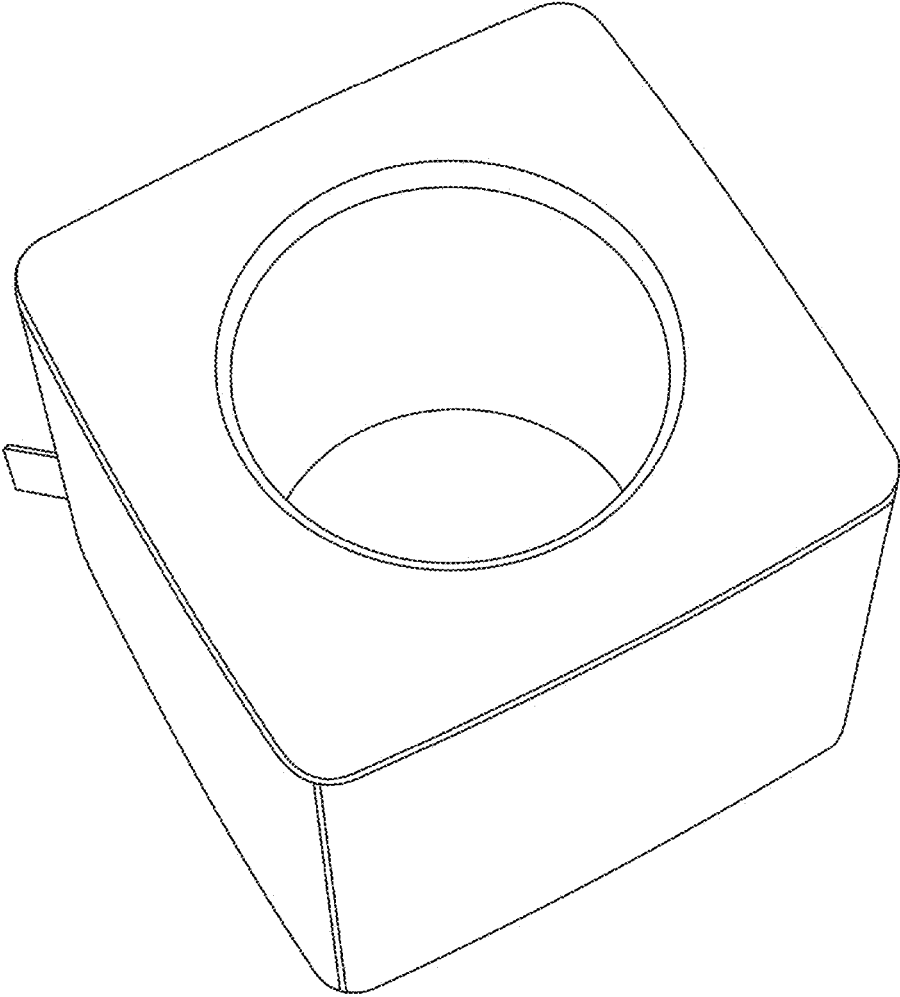


Figure 5

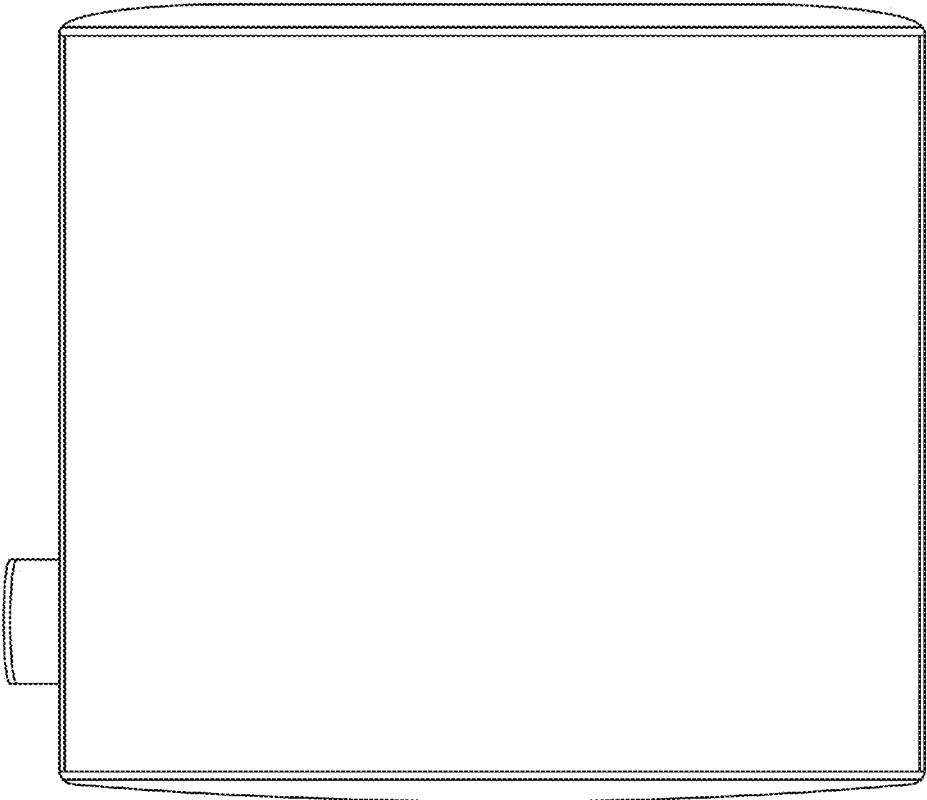


Figure 6